

A Global Specialized
Building Hardware
Manufacturer



Jiaying Far East Hardware Co.,Ltd.
NO.286 FUXING ROAD, JIAXING CITY,
ZHEJIANG, CHINA 314000
Phone:(86)573-8399-5339
Fax: (86)573-8359-1582
Email: sales@fareast-hardware.com
www.fareast-hardware.com



Jiaying Far East Hardware Co.,Ltd.

About us

Jiaying Far East Hardware Co.,Ltd is a professional manufacturer and exporter for Building hardware&Accessoris, HVAC (Heating Ventilation Air Conditioning) hardware&Accessoris, and Steel fasteners. We are able to provide our customers with superior quality, and an enormous line of cost effective products, such as damper hardware, access doors,corner,bracket,metal stampings,bolt,screw,nut,etc. We can provide custom made service, making as per customer samples or prints. We can provide a wide range of Galvanized steel, Stainless Steel, Zinc, Aluminum and metal stamping products.

Why choose Far East Hardware?

At Far East Hardware Co.,Ltd,you will find the versatility you need,at the competitive price today' s marketplace demand.You will get Custom-Made service. Every facet of our operation is geared to offering you maximum productivity and cost efficiency. When selecting Far East Hardware as your supplier and partner you will benefit from our products&Service.

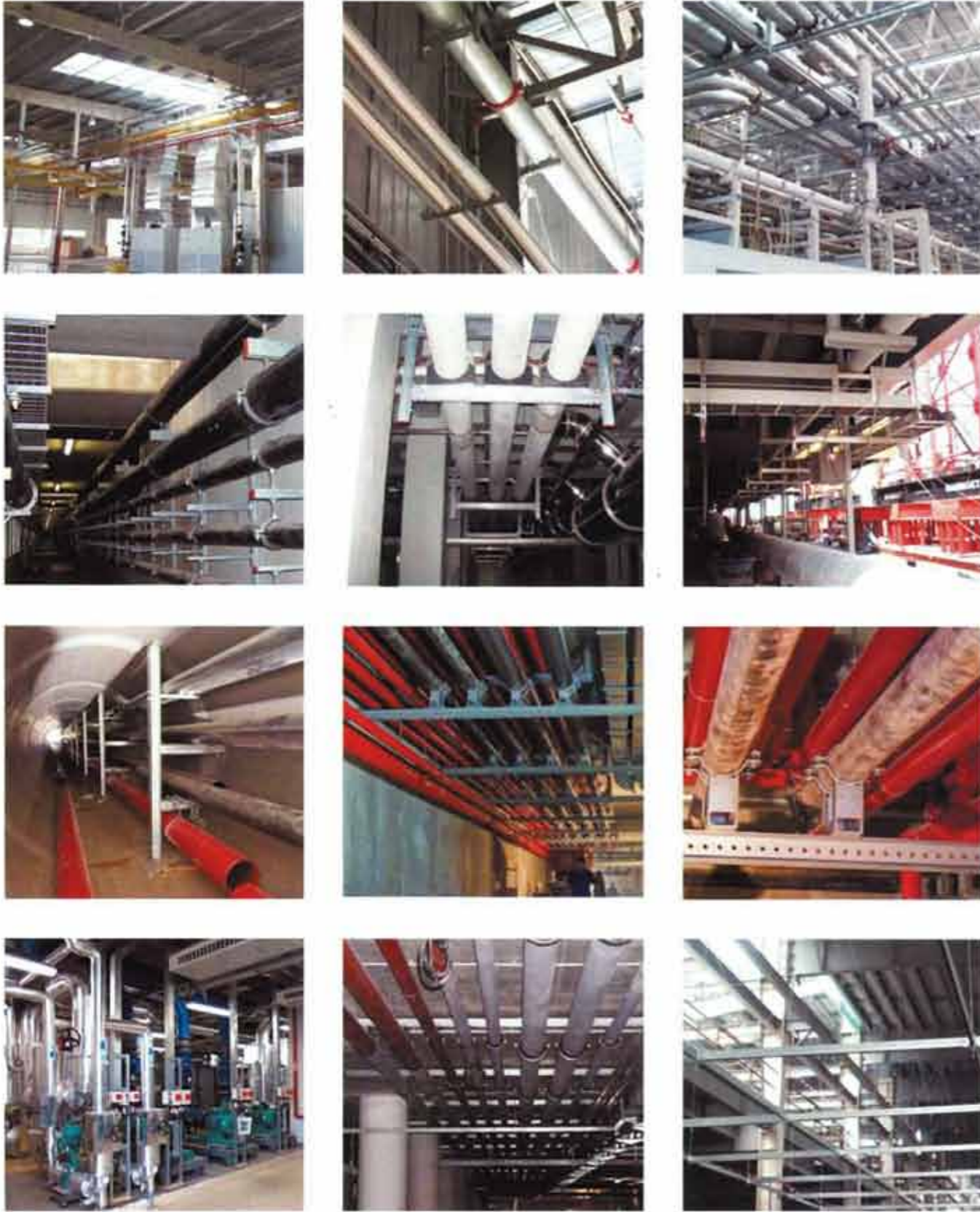


Customized Made

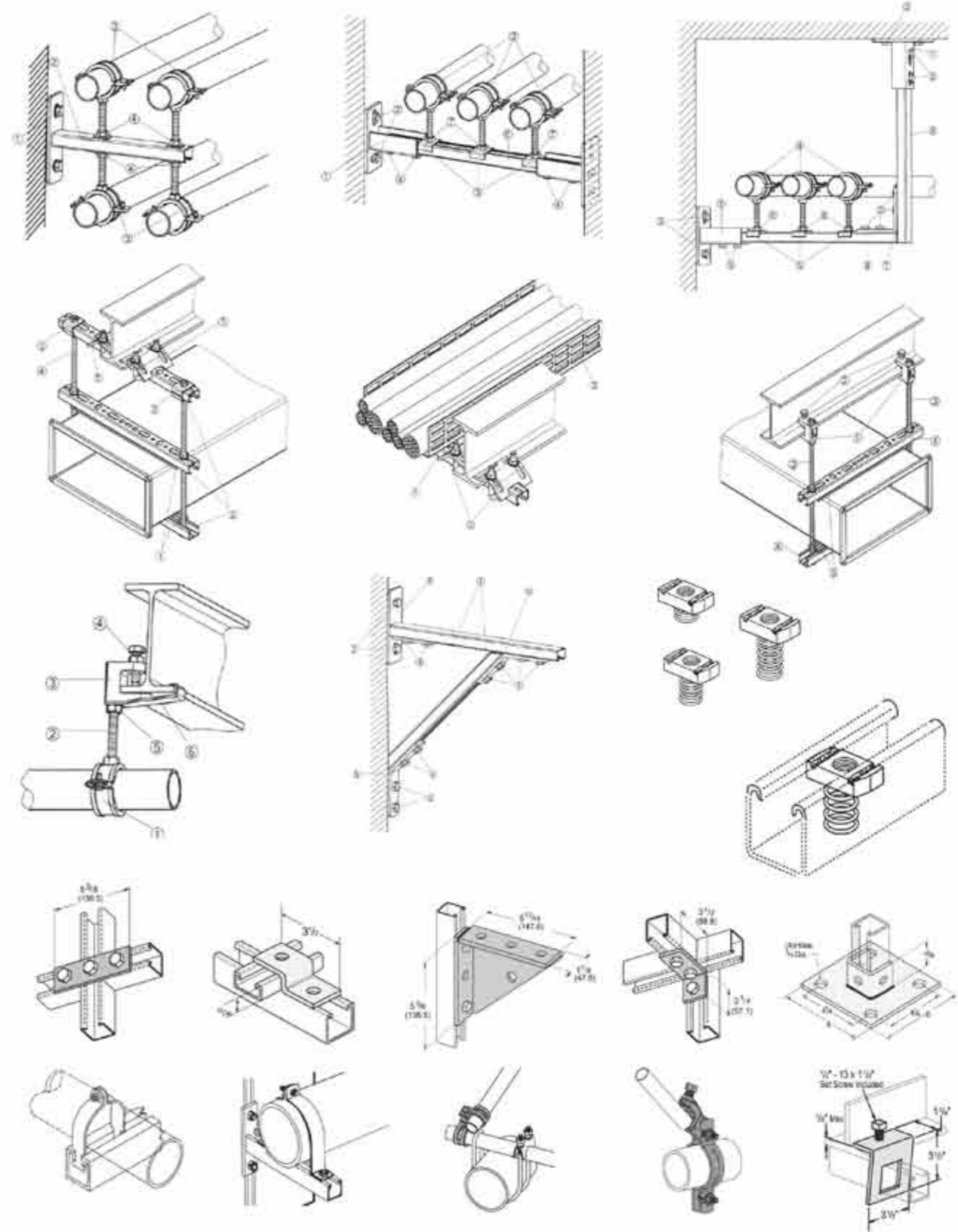
Building Hardware
HVAC Accessories
Fasteners



Our Product Application Areas



Building Hardware



Building hardware for HVAC System



■ FE-001



■ FE-002



■ FE-003



■ FE-004



■ FE-005



■ FE-006



■ FE-007



■ FE-008

Building hardware for HVAC System



■ FE-009



■ FE-010



■ FE-011



■ FE-012



■ FE-013



■ FE-014



■ FE-015



■ FE-016



■ FE-017



■ FE-018



■ FE-019



■ FE-020



■ FE-021



■ FE-022



■ FE-023



■ FE-024



■ FE-025



■ FE-026



■ FE-027



■ FE-028



■ FE-029



■ FE-030



■ FE-031

Building hardware



■ FE-032



■ FE-033



■ FE-034



■ FE-035



■ FE-036



■ FE-037



■ FE-038



■ FE-039



■ FE-040



■ FE-041



■ FE-042



■ FE-043



■ FE-044



■ FE-045



■ FE-046



■ FE-047



■ FE-048



■ FE-049



■ FE-050



■ FE-051



■ FE-052



■ FE-053



■ FE-054



■ FE-055



■ FE-056



■ FE-057



■ FE-058



■ FE-059



■ FE-060



■ FE-061



■ FE-062

Building hardware



■ FE-063



■ FE-064



■ FE-065



■ FE-066



■ FE-067



■ FE-068



■ FE-069



■ FE-070



■ FE-071



■ FE-072



■ FE-073



■ FE-074



■ FE-075



■ FE-076



■ FE-077



■ FE-078



■ FE-079



■ FE-080



■ FE-081



■ FE-082



■ FE-083



■ FE-084



■ FE-085



■ FE-086



■ FE-087



■ FE-088

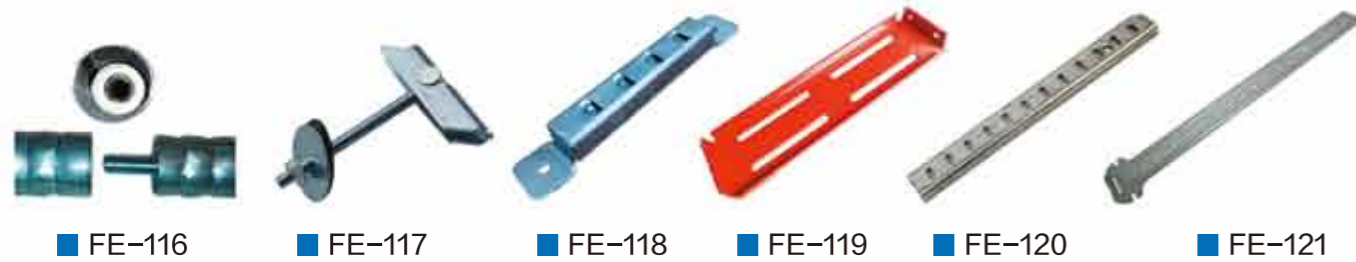
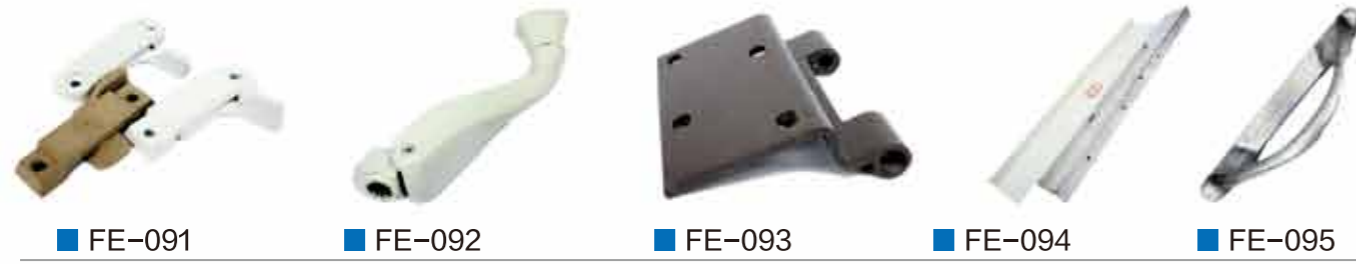


■ FE-089



■ FE-090

Building Hardware



Fasteners

