



AIR DUCT ACCESSORIES FOR H.V.A.C. SYSTEM

Jiaxing Far East Hardware Co.,Ltd.



Jiaxing Far East Hardware Co.,Ltd.

No.286 Fuxing Road, Jiaxing City,

Zhejiang, China 314050

Phone: (86)573-8399-5339

Fax: (86)573-8359-1582

Website: www.fareast-hardware.com

Email addresses:

Sales: sales@fareast-hardware.com

Production: production@fareast-hardware.com

After-Sales: after-sales@fareast-hardware.com

Complaint: complaint@fareast-hardware.com



www.fareast-hardware.com



Air Duct Accessories For H.V.A.C. System

Table of contents

About Us	01		
Air Ducts			
Spiral Ducts	05	Duck work clamps / Tubig Clamps	18
Elbow Ducts	05	Strengthen Chain Type Pipe Clamps	18
Rectangular Ducts	06	Heavy Duty Pipe Clamps	18
		Ring Pipe Hangers & J type Pipe Hangers	18
		PM type Pipe Hangers	18
		Riser Pipe Clamps	18
Damper Hardware			
Air-Control Dampers	07	Strut system	
Damper Blades	08	Channels	19
Standoff Damper Blade Regulators	09	Channel nuts	19
Sectorial Dia Quadrant Damper Blade Regulators	11	Electrical Clamps	19
Round Dia Quadrant Damper Blade Regulators	13	Beam Clamps	19
Square End Bearings for Damper Blades	13	Saddle washers	19
Spring End Bearings for Damper blades	14	Fire-fighting step	19
		Plane / 90° / Z type / U type- Combinations	20
		Post Bases	20
Ductwork Hardware		Access doors	
Tube Inserts	15	Access doors	21
Tube with Inserts Assembled	15	Other Special hardware	
TDF Corners	16	Windows and door hardware	
Turning Strikers for Access Door	16	Building hardware / Electric hardware / Casters	22
Air Duct Flex Clamps	17	Fasteners	
Damper Clips	17	Bolts / Stubs / Screws / Nuts	
Bearing Straps	17	Washers / Thread rods	23
Conduit Corss Clamps	17	Project Cases	
Damper Shaft Extensions	17	Buildings / Hospitals / Factories / Warehouses	
Access door latches	17	Parking places / Tunnels / sports halls	24
Pivoting Brackets	17		

About Us

JIAXING FAR EAST HARDWARE CO.,LTD. is a professional manufacturer and exporter, founded since 2005, located in Jiaxing city which only 40 mile away from Shanghai city. With years of experience and profession, our company has been supplying our products throughout the world.

Our main products are the accessories for H.V.A.C system and Strut system. We are able to provide our customers with superior quality and cost effective products such as air flow dampers, damper blades, damper regulators, damper end bearings, conduit inserts, TDF corners, air ducts, access doors and fasteners. A wide range of materials are available, such as galvanized steel, stainless steel, Zamak and Aluminum.

At Jiaxing Far East Hardware Co.,Ltd, you will find the versatility you need at the competitive prices. Choose us , you will benefit from our products and Service.

Why Choose Us ?

- ⊙ We have more than 12 years of experience in H.V.A.C industria.
- ⊙ Customized production service is available here. OEM is acceptable.
- ⊙ Our manufactory is only 60 mile away from the deepwater port of Shanghai, it is convenient and efficient for delivering goods to all over the world.
- ⊙ At Jiaxing Far East Hardware Co.,Ltd, you will find the versatility you need at the competitive prices.
- ⊙ We support FOB, CIF, CFR, DDU, DDP etc, we got very rich experience shipping goods to all over the world.
- ⊙ Quick response day and night to ensure the best service.





Advanced production equipment

First-rate hardware facilities fully ensures excellent product quality. Our company has been forging ahead towards an international reputable enterprise by means of modern production workshop and scientific standardized operation procedure. We insist on whole production chain, high quality production and sophisticated process and technology.



P/N: FE-001



Features

Spiral duct is formed from galvanized steel belt, it is different with the conventional pipe, it is more economic than the conventional pipe. Normally, spiral duct is used for factory fume extractor, kitchen ventilator, gas transportation and HVAC (Heating, ventilation and air condition) system.

Material

G90 Galvanized steel
Stainless steel 304
Stainless steel 316
Aluminum

Size

Diameter: from 5" to 100"
Common Diameter: 6", 8", 10", 12", 14", 16", 20"
Thickness: from 27GA to 18GA. (0.5mm--1.2mm)
Length: 9.84ft (3m)

Special requirements

Customized production is acceptable.
OEM is acceptable.

P/N: FE-002



Features

Elbow duct is used in conjunction with the Spiral duct, it is used for factory fume extractor, kitchen ventilator, gas transportation and HVAC (Heating, ventilation and air condition) system.

Material

G90 Galvanized steel
Stainless steel 304
Stainless steel 316
Aluminum

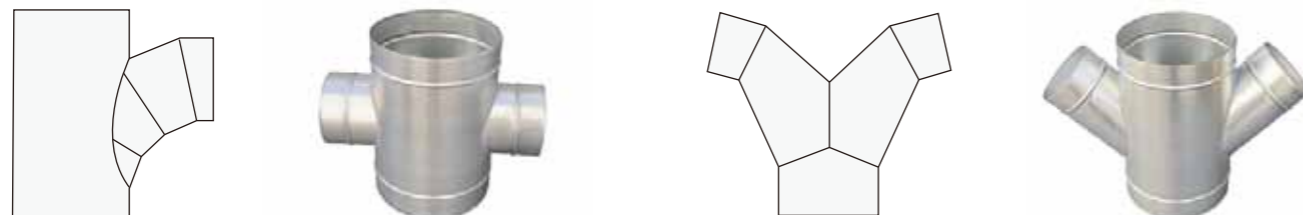
Size

Diameter: from 5" to 100"
Common Diameter: 6", 8", 10", 12", 14", 16", 20"
Thickness: from 27GA to 18GA. (0.5mm--1.2mm)

Special requirements

Customized production is acceptable.
OEM is acceptable.

Other types



P/N: FE-003



Features

Rectangular duct is made of galvanized steel belt, it is used for factory fume extractor, kitchen ventilator and other HVAC (Heating, ventilation and air condition) system.

Material

G90 Galvanized steel
Stainless steel 304
Stainless steel 316
Aluminum

Size

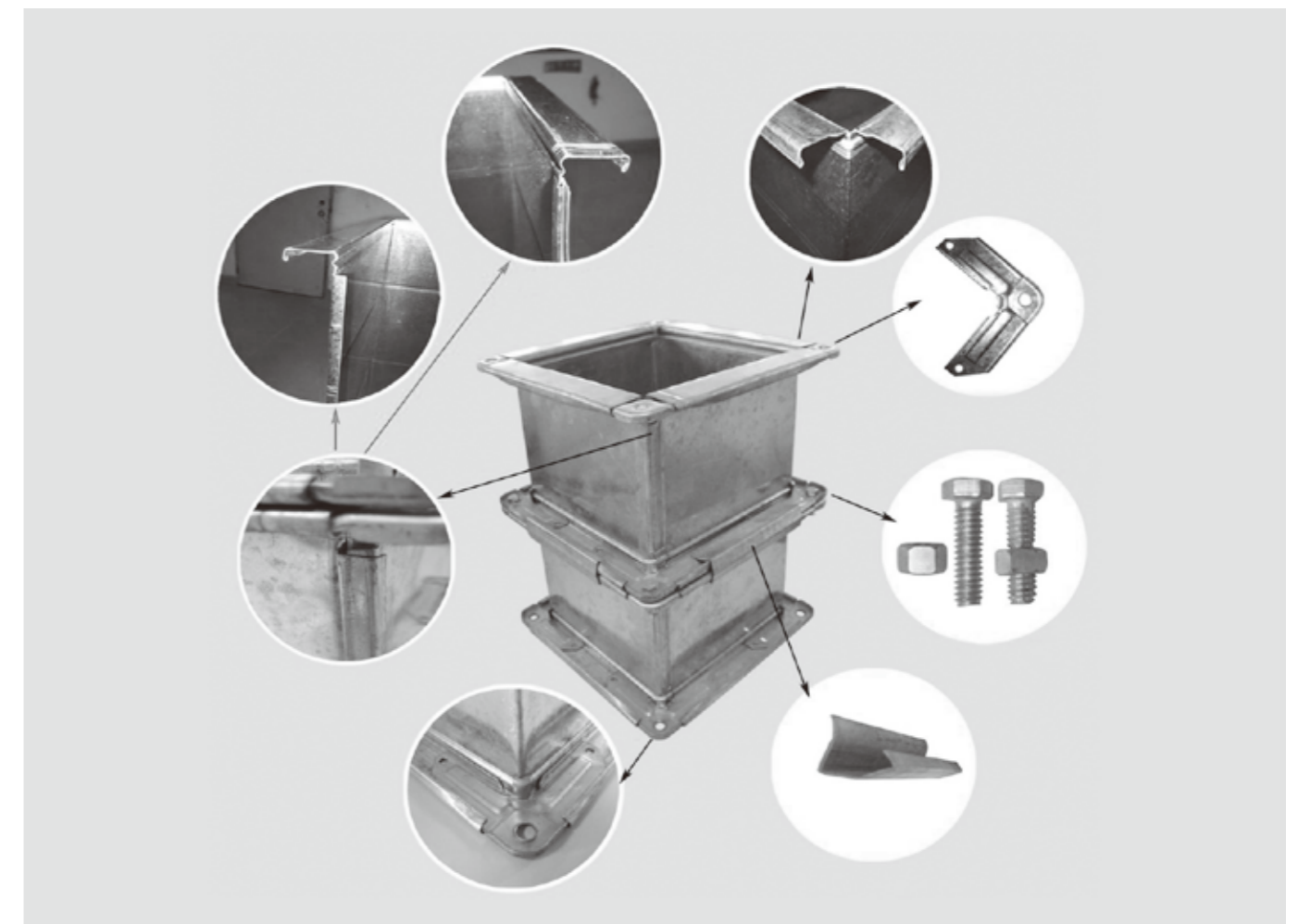
Thickness is from 27GA to 18GA. (0.5--1.2mm)
Length: Customized

Special requirements

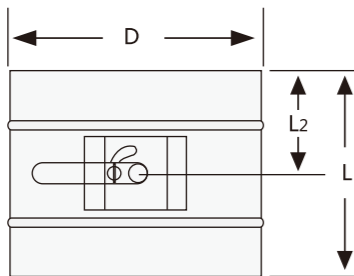
Customized production is acceptable.
OEM is acceptable.

Production Connection

TDF flange, TDC flange, locking seam, pittsburgh lock, snap lock, TDC corner, corner connecting.



P/N: FE-004



Features

This Air-Control Damper is made up of one sleeve duct, one damper blade, one damper regulator and one square rod. Just twisting the wing nut and moving the handle to turn the damper blade which inside the air duct to control the air flow. Usually, the air-control dampers are used for HVAC (Heating, ventilation and air condition) system.

Material

The sleeve duct is made of galvanized steel. It also can be made of stainless steel 304 or stainless steel 316. The Damper blade is made of galvanized steel sheet. It also can be made of stainless steel 304 or stainless steel 316. The regulator is made of galvanized steel. It also can be made of stainless steel 304 or stainless steel 316. The square rod is made of aluminum or steel.

Size

D(inch)	L(inch)	L2(inch)
4	6--12	3--6
5	6--12	3--6
6	6--12	3--6
7	6--12	3--6
8	6--12	3--6
10	6--12	3--6
12	6--12	3--6
14	6--12	3--6
16	6--12	3--6

Special requirements

Customized production is acceptable. OEM is acceptable.

Other types



P/N: FE-005



Features

This Damper blade with square rod is seted inside the air duct to be in conjunction with the regulator to control the air flow for HVAC system. The diameter of the damper blade is determined by the diameter of the duct. The dimension of the square hole in the damper blade is determined by the dimension of the square rod.

Material

The damper blade is made of Galvanized steel, it also can be made of stainless steel. The square rod is made of aluminum, it also can be made of steel.

Product Connection



Size

Diameter of the Damper	Diameter of the Duct	Thickness	Square rod
4"	4"	22GA	3/8"X8"
5"	5"	22GA	3/8"X9"
6"	6"	22GA	3/8"X10"
7"	7"	22GA	3/8"X11"
8"	8"	22GA	3/8"X12"
10"	10"	20GA	3/8"X14"
12"	12"	20GA	3/8"X16"
14"	14"	20GA	3/8"X18"
16"	16"	20GA	3/8"X20"
20"	20"	20GA	3/8"X24"

Special requirements

Customized production is acceptable. OEM is acceptable.

Other types



P/N: FE-006



Features

This Damper regulator is used in conjunction with the square rod. Just twisting the wing nut and moving the handle to turn the damper blade which inside the air duct to control the air flow for HVAC system. The standoff distance of the regulator is determined by the thickness of insulation.

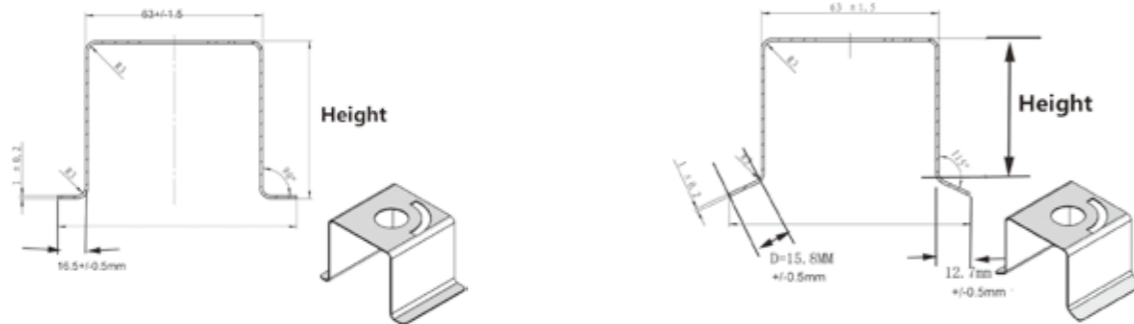
Material

Galvanized steel, Stainless steel, Aluminum.

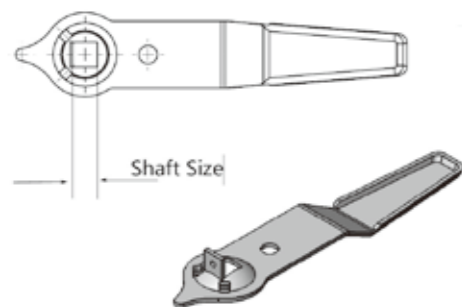
Special requirements

Customized production is acceptable.
OEM is acceptable.

The drawings for height of the brackets



The drawing for size of the Shaft hole



Product Connection & instructions



The Size of the Damper regulator

Item	Shaft size	Height	Thickness of insulation.
FE006-ST01	1/4	1/2"	Less than 1/2"
FE006-ST02	1/4	1"	Less than 1"
FE006-ST03	1/4	1 1/2"	Less than 1 1/2"
FE006-ST04	3/8	1/2"	Less than 1/2"
FE006-ST05	3/8	1"	Less than 1"
FE006-ST06	3/8	1 1/2"	Less than 1 1/2"
FE006-ST07	1/2	1/2"	Less than 1/2"
FE006-ST08	1/2	1"	Less than 1"
FE006-ST09	1/2	1 1/2"	Less than 1 1/2"

P/N: FE-007



Features

This Damper regulator is used in conjunction with the square rod. Just twisting the hex nut and moving the handle to turn the square rod with damper blade which inside the air duct to control the air flow for HVAC system. The standoff distance of the regulator is determined by the thickness of insulation.

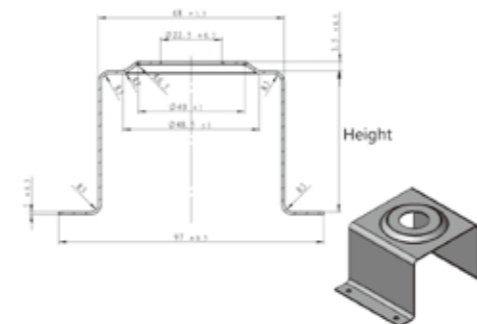
Material

The material of the bracket and handle can be made of Galvanized steel, Stainless steel and Aluminum. The material of the bolt with square hole is made of Zamak.

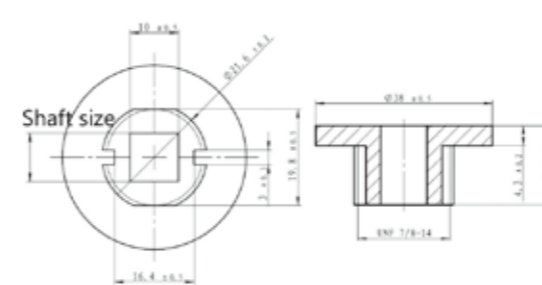
Special requirements

Customized production is acceptable.
OEM is acceptable.

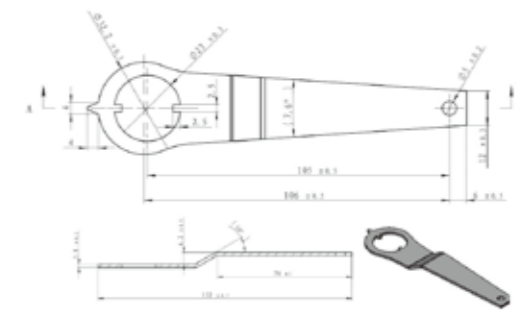
The drawings of the height of the brackets



The drawing of the bolt with square shaft hole



The drawing of the handle



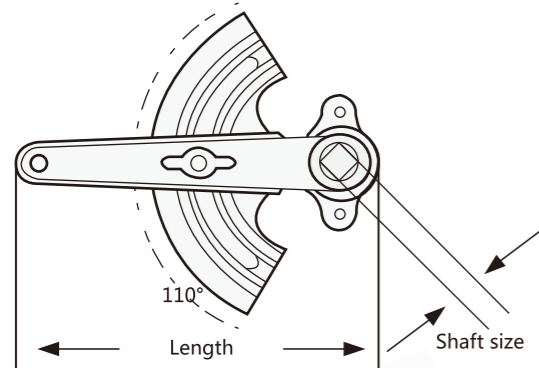
Product Connection



The Size of the Damper regulator

Item	Shaft size	Height	Thickness of insulation.
FE007-Z01	1/4	1/2"	Less than 1/2"
FE007-Z02	1/4	1"	Less than 1"
FE007-Z03	1/4	1 1/2"	Less than 1 1/2"
FE007-Z04	3/8	1/2"	Less than 1/2"
FE007-Z05	3/8	1"	Less than 1"
FE007-Z06	3/8	1 1/2"	Less than 1 1/2"
FE007-Z07	1/2	1/2"	Less than 1/2"
FE007-Z08	1/2	1"	Less than 1"
FE007-Z09	1/2	1 1/2"	Less than 1 1/2"

P/N: FE-008



Features

This Dia Quadrant regulator is used in conjunction with the square rod. Just twisting the wing nut and moving the handle to turn the damper blade which inside the air duct to control the air flow for HVAC system.

Material

Galvanized steel, Stainless steel and Aluminum.

Special requirements

Customized production is acceptable.
OEM is acceptable.

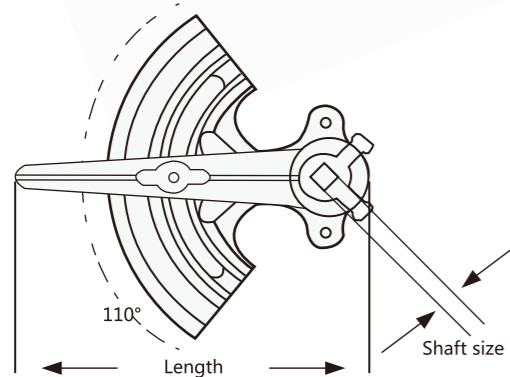
The sizes of the regulator

Item	Shaft size	Length	Control Degree
FE008-A01	1/4"	6"	0 -- 90°
FE008-A02	3/8"	6"	0 -- 90°
FE008-A03	1/2"	6"	0 -- 90°

Product Connection



P/N: FE-009



Features

This Dia Quadrant regulator is used in conjunction with the slid rod. Just twisting the wing nut and moving the handle to turn the damper blade which inside the air duct to control the air flow for HVAC system.

Material

The base can be made of Galvanized steel, Stainless steel and Aluminum. The handle is made of Zamak.

Special requirements

Customized production is acceptable.
OEM is acceptable.

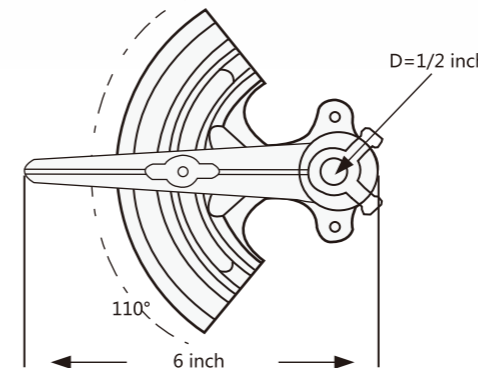
The sizes of the regulator

Item	Shaft size	Length	Control Degree
FE008-B01	1/4"	6"	0 -- 90°
FE008-B02	3/8"	6"	0 -- 90°
FE008-B03	1/2"	6"	0 -- 90°

Product Connection



P/N: FE-010



Features

This Dia Quadrant regulator is used in conjunction with the slid rod. Just twisting the wing nut and moving the handle to turn the damper blade which inside the air duct to control the air flow for HVAC system.

Material

The base can be made of Galvanized steel, Stainless steel and Aluminum. The handle is made of Zamak.

Special requirements

Customized production is acceptable.
OEM is acceptable.

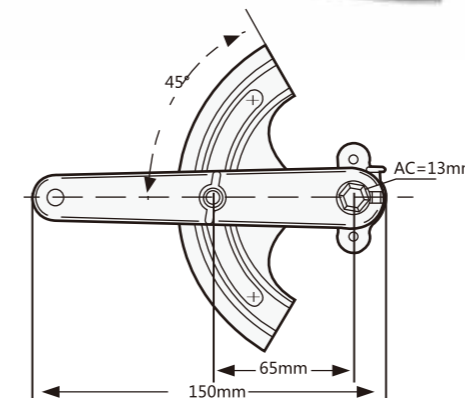
The sizes of the regulator

The length of the handle is 6"
The diameter round hole is 1/2", it can be fit with 1/2" round rod.

Product Connection



P/N: FE-011



Features

This Dia quadrant regulator is used in conjunction with the hex rod. Just twisting the wing nut and moving the handle to turn the hex rod with damper blade which inside the air duct to control the air flow for HVAC system.

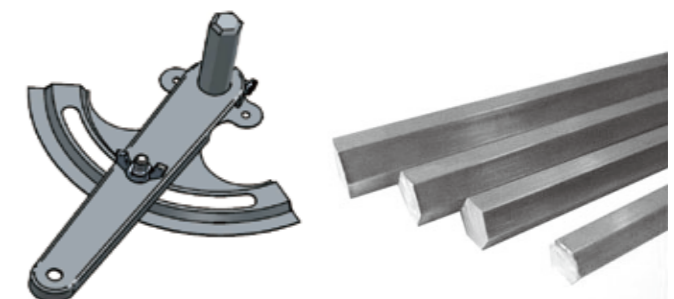
Material

Galvanized steel or stainless steel.

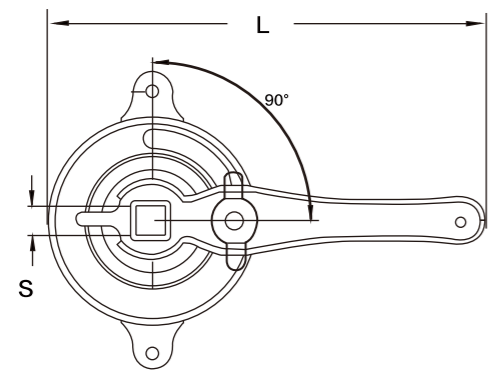
Special requirements

Customized production is acceptable.
OEM is acceptable.

Product Connection



P/N: FE-012



Features

This round quadrant regulator is used in conjunction with the square bearing. Just twisting the wing nut and moving the handle to turn the square bearing with damper blade which inside the air duct to control the air flow for HVAC system.

Material

Galvanized steel or stainless steel.

Special requirements

Customized production is acceptable.
OEM is acceptable.

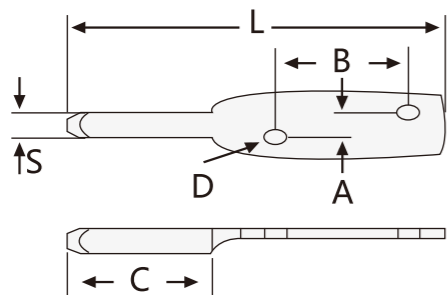
The sizes of the regulator

Item	L	S
FE-011-A	3 3/4	1/4
FE-011-B	5 1/2	3/8

Product Connection



P/N: FE-013



Features

This Square end bearing is assembled at the end of the damper blade. Just moving the handle of the quadrant regulator to turn the square end bearing with damper blade which inside the air duct to control the air flow for HVAC system.

Material

Carton steel, Stainless steel.

Special requirements

OEM & Customized production are acceptable.

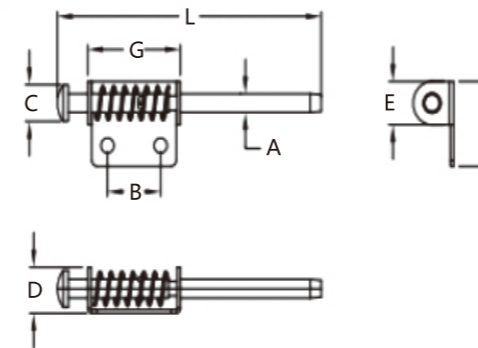
Dimension

Item	S	L	C	A	B
FE-012-01	1/4	3	1 4/5	1/4	1 1/16
FE-012-02	1/4	3 3/4	1 4/5	1/4	1 1/16
FE-012-03	1/4	5 5/8	1 4/5	1/4	1 1/16
FE-012-04	3/8	3	2 1/9	3/10	1 3/25
FE-012-05	3/8	5	2 1/9	3/10	1 3/25
FE-012-06	3/8	5 5/8	2 1/9	3/10	1 3/25

Product Connection



P/N: FE-014



Features

This Spring end bearing is used conjunction with the damper blade. Pushing the pin to control the length of the bearing to assemble the damper blade inside the air duct.

Material

Carton steel, Stainless steel.

Special requirements

Customized production is acceptable.
OEM is acceptable.

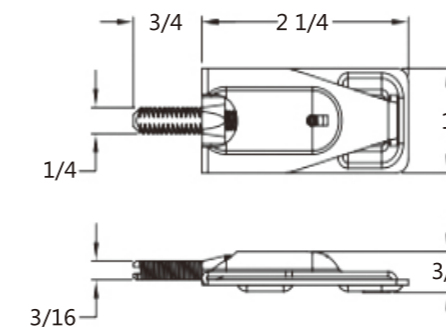
The sizes of the regulator

Item	A(In)	B(In)	C(In)	E(In)	F(In)	G(In)	L(In)
FE-014-A1	1/4	5/8	3/8	1/2	7/8	1-1/8	2-1/2
FE-014-A2	1/4	5/8	3/8	1/2	7/8	1-1/8	4
FE-014-A3	3/8	7/8	7/16	5/8	1-3/16	1-7/16	2-1/2
FE-014-A4	3/8	7/8	7/16	5/8	1-3/16	1-7/16	4

Product Connection



P/N: FE-015



Features

This Spring end bearing with tip are used conjunction with the damper blade. Pushing the stud to control the length of the bearing to assemble the damper blade inside the air duct.

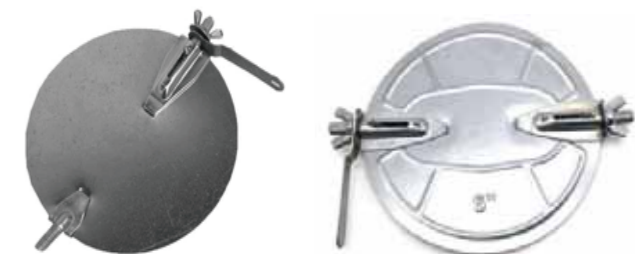
Material

The base is made of galvanized steel, the stud is made of Zamak.

Special requirements

Customized production is acceptable.
OEM is acceptable.

Product Connection



P/N: FE-016



Features

The Tube Inserts are used conjunction with the tubes to provide rectangular support.

Material

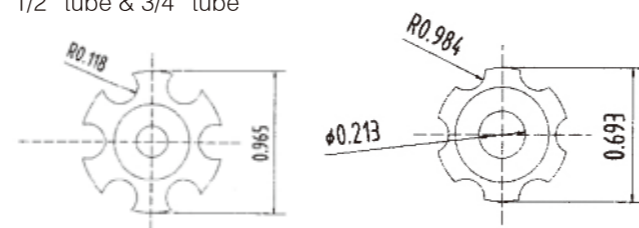
The black start nut is made of spring steel. The bolt and nut are made of carton steel or stainless steel. The washer is made of steel or stainless steel with neoprene gasket.

Special requirements

Customized production is acceptable.
OEM is acceptable.

Sizes

Hex bolt 1/4-20 X 1 1/2"
Hex flange nut 1/4-20
Flat washer neoprene gasket 1"
1/2" tube & 3/4" tube



Product Connection



P/N: FE-017



Features

This Tube with Inserts Assembled is used conjunction with the tubes to extend the length of the tube.

Material

Galvanzed steel, stainless steel.

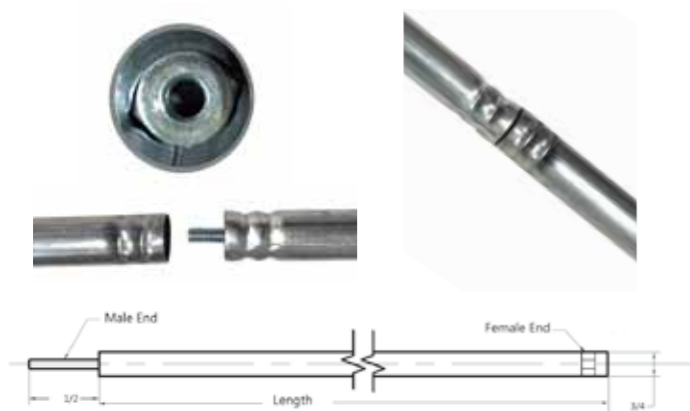
Special requirements

Customized production is acceptable.
OEM is acceptable.

Dimension as per the drawing as below

Item	Male End	Female End	Length
FE-016-1	1/4-20 stud	1/4-20 nut	8"
FE-016-1	1/4-20 stud	1/4-20 nut	10"
FE-016-1	1/4-20 stud	1/4-20 nut	12"
FE-016-1	1/4-20 stud	1/4-20 nut	14"
FE-016-1	1/4-20 stud	1/4-20 nut	16"
FE-016-1	1/4-20 stud	1/4-20 nut	18"
FE-016-1	1/4-20 stud	1/4-20 nut	20"
FE-016-1	1/4-20 stud	1/4-20 nut	22"
FE-016-1	1/4-20 stud	1/4-20 nut	24"
FE-016-1	1/4-20 stud	1/4-20 nut	26"
FE-016-1	1/4-20 stud	1/4-20 nut	28"
FE-016-1	1/4-20 stud	1/4-20 nut	30"
FE-016-1	1/4-20 stud	1/4-20 nut	32"
FE-016-1	1/4-20 stud	1/4-20 nut	34"
FE-016-1	1/4-20 stud	1/4-20 nut	36"

Asseby



P/N: FE-018



Features

TDF corners are used in conjunction with the rectangular duct connection and rectangular duct flange formed on flange.

Material

Galvanized steel
Stainless steel
Aluminum

Special requirements

Customized production is acceptable.
OEM is acceptable.

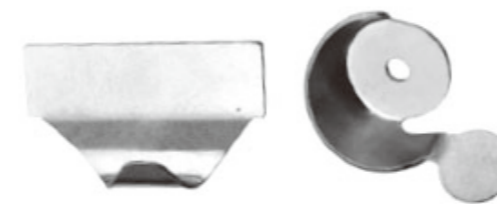
Other items



Connection



P/N: FE-019



Features

The Turning Striker is used for locking the access door. Just truning the striker to control the access door open or closed.

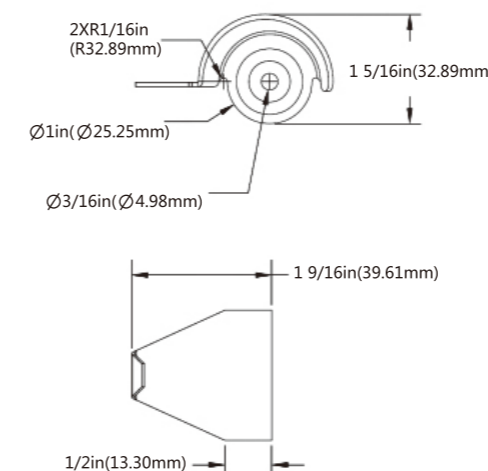
Material

Galvanized steel
Stainless steel

Special requirements

Customized production is acceptable.
OEM is acceptable.

Connection



Air Ducts

P/N: FE-020



Features
Air Duct Flex Clamp is used to fasten the air ducts.

Material
Steel, stainless steel.

Special requirements
OEM and Customized production are acceptable.

Damper Hardware

P/N: FE-021



Features
This 3/8" Damper clip is used in conjunction with the damper blade for assembling the blade inside the air duct.

Material
Carbon steel, Stainless steel.

Special requirements
OEM and Customized production are acceptable.

Ductwork Hardware

P/N: FE-022



Features
This Damper clip is used in conjunction with the damper blade for assembling the blade inside the air duct.

Material
Carbon steel, Stainless steel.

Special requirements
OEM and Customized production are acceptable.

Strut system

P/N: FE-023



Features
This Conduit Cross Clamp is used to fasten the two conduits together inside the air duct, it can fit for 1/2" and 3/4" conduits.

Material
Carbon steel, Stainless steel.

Special requirements
OEM and Customized production are acceptable.

Access doors

P/N: FE-024



Features
This Damper Shaft Extension is used to extend the handle for Damper.

Material
Carbon steel, Stainless steel.

Size
1/4- 20 thread x 2 1/4 Length.

Special requirements
OEM and Customized production are acceptable.

Fasteners

P/N: FE-025



Features
This access door latch is designed for walk-in doors. It is operable from both sides, and will accommodate doors up to 2" thick. This latch does not have an inside release lever. Supplied with 2 Neoprene sponge gaskets to eliminate rattling and air leakage.

Material
Zamac#3, Zamac#5, Aluminum.

Special requirements
OEM and Customized production are acceptable.

Project Cases

P/N: FE-026



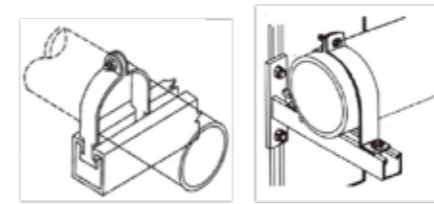
Features
This pivoting bracket is used for pivoting the damper blade. Can be used for both opposed or parallel blade dampers.

Material
Zinc plated carbon steel, stainless steel.

Special requirements
OEM and Customized production are acceptable.

Air Ducts

P/N: FE-027



Features
Tubig Clamp is used in conjunction with channel for fastening the tubes.

Material
Carbon steel, Stainless steel.

Standard size
Standard sizes OD from 1/4 to 8", thickness from 16GA to 10GA.

Special requirements
Blue Zinc plated, yellow zinc plated, HDG, black.

Damper Hardware

P/N: FE-028



Features
Strengthen Chain Type Pipe Clamp is used for fastening the pipes.

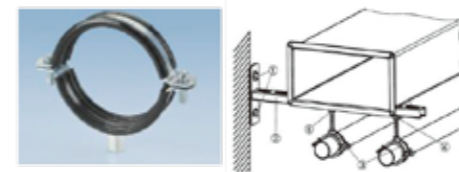
Material
Carbon steel, Stainless steel.

Standard size
OD from 1/2" to 10"

Special requirements
Blue Zinc plated, yellow zinc plated, HDG, black.

Ductwork Hardware

P/N: FE-029



Features
Heavy Duty Pipe Clamp is used for fastening the pipes.

Material
Carbon steel, Stainless steel.

Standard size
OD from 1/4" to 10"

Special requirements
Blue Zinc plated, yellow zinc plated, HDG, black.

Strut system

P/N: FE-030



Features
Ring Pipe Hanger and J type Pipe hanger are used for hanging the pipes.

Material
Carbon steel, Stainless steel.

Standard size
OD 1/2" to 8"

Special requirements
Blue Zinc plated, yellow zinc plated, HDG, black.

Access doors

P/N: FE-031



Features
PM type Pipe hanger is used for hanging the pipes.

Material
Carbon steel, Stainless steel.

Standard size
OD 1/2" to 4"

Special requirements
Blue Zinc plated, yellow zinc plated, HDG, black.

Other Special Hardware

P/N: FE-032



Features
Riser Pipe Clamps is used for fastening the pipes.

Material
Carbon steel, Stainless steel.

Standard size
OD 1/2" to 30"

Special requirements
Blue Zinc plated, yellow zinc plated, HDG, black.

Fasteners

Project Cases

P/N: FE-033



Features

Standard Channels
"A" level stability, strength and shape

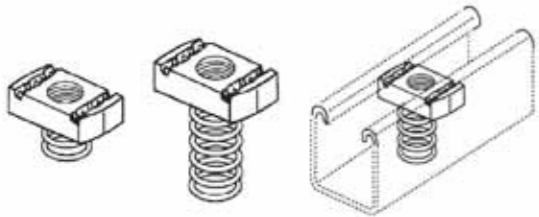
Material

S235 JR according to DIN EN 10025
S280 GD according to DIN EN10147

Special requirements

Pre-Galvanized / HDG

P/N: FE-034



Features

Standard Channel nuts.

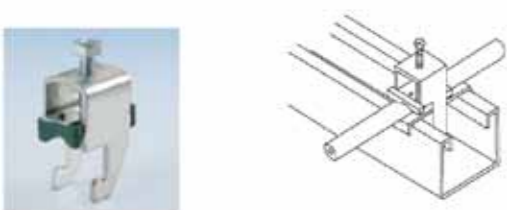
Material

Carbon Steel with galvanized, stainless steel 304/316.

Sizes

W1/4X1/4, W5/16X1/4, W3/8X3/8, W5/8X1/2"
M6X6, M8X6, M10X9, M12X12, M16X12mm

P/N: FE-035



Features

Electrical Clamp is used for holding and fastening the cables with channel.

Material

Carbon steel zinc plated, Stainless steel.

Sizes

Cable OD10--15mm, steel thickness 2mm

P/N: FE-036



Features

Beam Clamp is used for holding with channel. The maximum load weight 500kg.

Material

Carbon steel zinc plated.

Sizes

Rod size 1/4", 5/16", 3/8", 1/2"

P/N: FE-037



Features

This Saddle washers for 3/8" or 1/2" thread rod.

Material

Carbon steel, Stainless steel.

Special requirements

OEM and Customized production are acceptable.

P/N: FE-038



Features

This step is used for fire-fighting stairway in the building.

Material

Carbon steel with red powder coating, 6mm thickness.

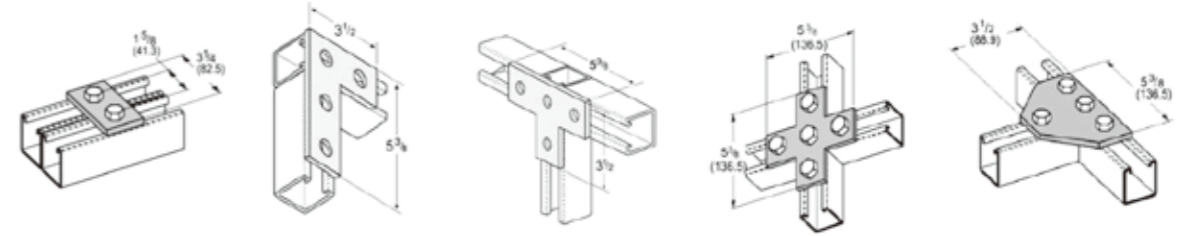
Size

510X150mm, 26mm height.

Special requirements

OEM and Customized production are acceptable.

Plane Combinations



P/N:FE-039

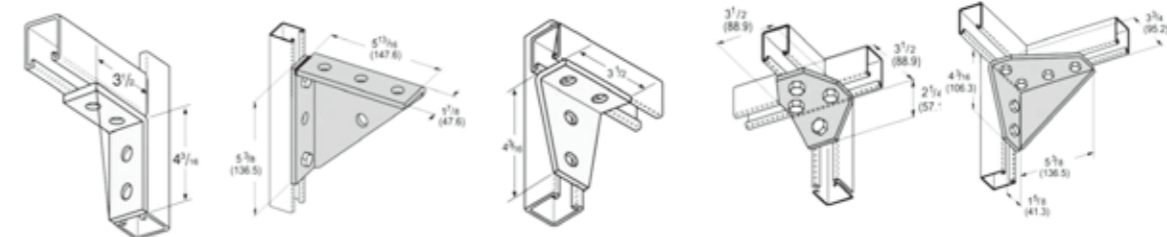
P/N:FE-040

P/N:FE-041

P/N:FE-042

P/N:FE-043

90° Combinations



P/N:FE-044

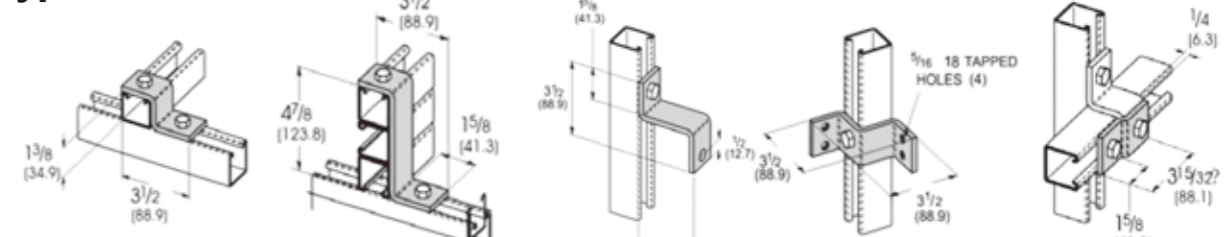
P/N:FE-045

P/N:FE-046

P/N:FE-047

P/N:FE-048

Z Type Combinations



P/N:FE-049

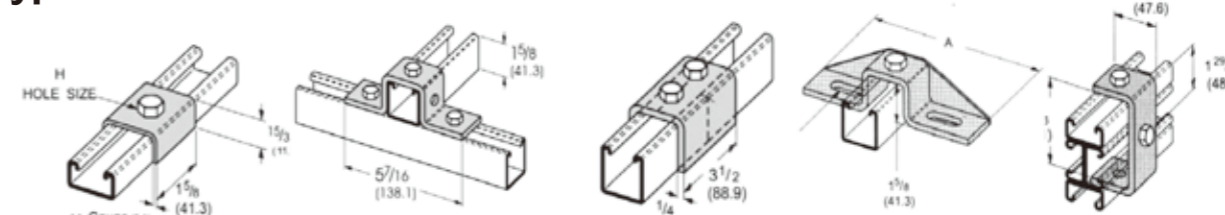
P/N:FE-050

P/N:FE-051

P/N:FE-052

P/N:FE-053

U Type Combinations



P/N:FE-054

P/N:FE-055

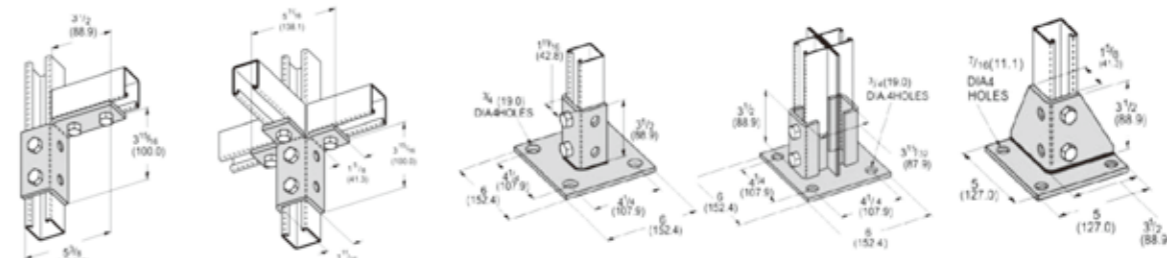
P/N:FE-056

P/N:FE-057

P/N:FE-058

Wing Type Combinations

Post Bases



P/N:FE-059

P/N:FE-060

P/N:FE-061

P/N:FE-062

P/N:FE-063

P/N: FE-064



Features

The Access Doors are used for the maintenance workers go up into the ceiling to service the ductwork for air condition. Seal treatment, the waterproofing performance is 99%, especially for H.V.A.C system.

Material

High quality 2.0mm thick aluminum alloy and 12mm thick waterproof gypsum board. With anodizing finish treatment. Galvanized steel is available.

Lock type

High load-bearing steel wire lock.

Load-bearing and safety protection

The special design lock allows the locking to reach more than 30kg, and the humanized design of the safety protection device is more convenient and safe to use.

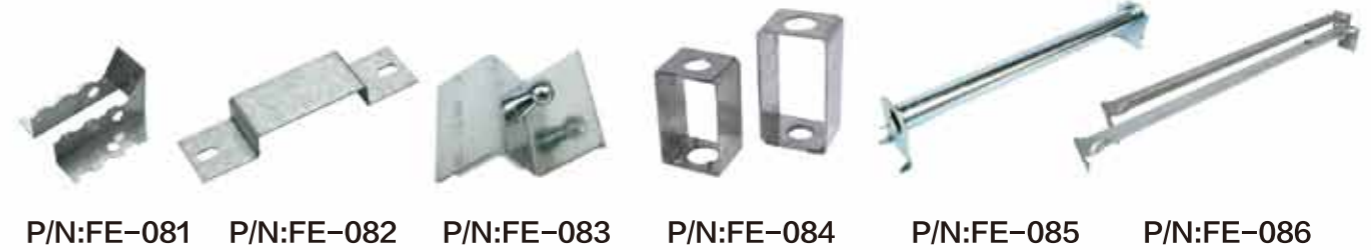
Size

Item	Outside	Inside	Ceiling openings
FE-023-1	260X260mm	200x200mm	211x211mm
FE-023-2	360X360mm	300x300mm	311x311mm
FE-023-3	460x460mm	400x400mm	411x411mm
FE-023-4	560x560mm	500x500mm	511x511mm
FE-023-5	660x660mm	600x600mm	611x611mm

Special requirements

OEM and Customized production are acceptable.

Other types



Air Ducts

Damper Hardware

Ductwork Hardware

Strut system

Access doors

Other Special Hardware

Fasteners

Project Cases



P/N:FE-098 P/N:FE-099 P/N:FE-100 P/N:FE-101 P/N:FE-102



P/N:FE-103 P/N:FE-104 P/N:FE-105 P/N:FE-106 P/N:FE-107



P/N:FE-108 P/N:FE-109 P/N:FE-110 P/N:FE-111 P/N:FE-112



P/N:FE-113 P/N:FE-114 P/N:FE-115 P/N:FE-116 P/N:FE-117



P/N:FE-118 P/N:FE-119 P/N:FE-120 P/N:FE-121 P/N:FE-122



P/N:FE-123 P/N:FE-124 P/N:FE-125 P/N:FE-126



Air Ducts

Damper Hardware

Ductwork Hardware

Strut system

Access doors

Other Special Hardware

Fasteners

Project Cases